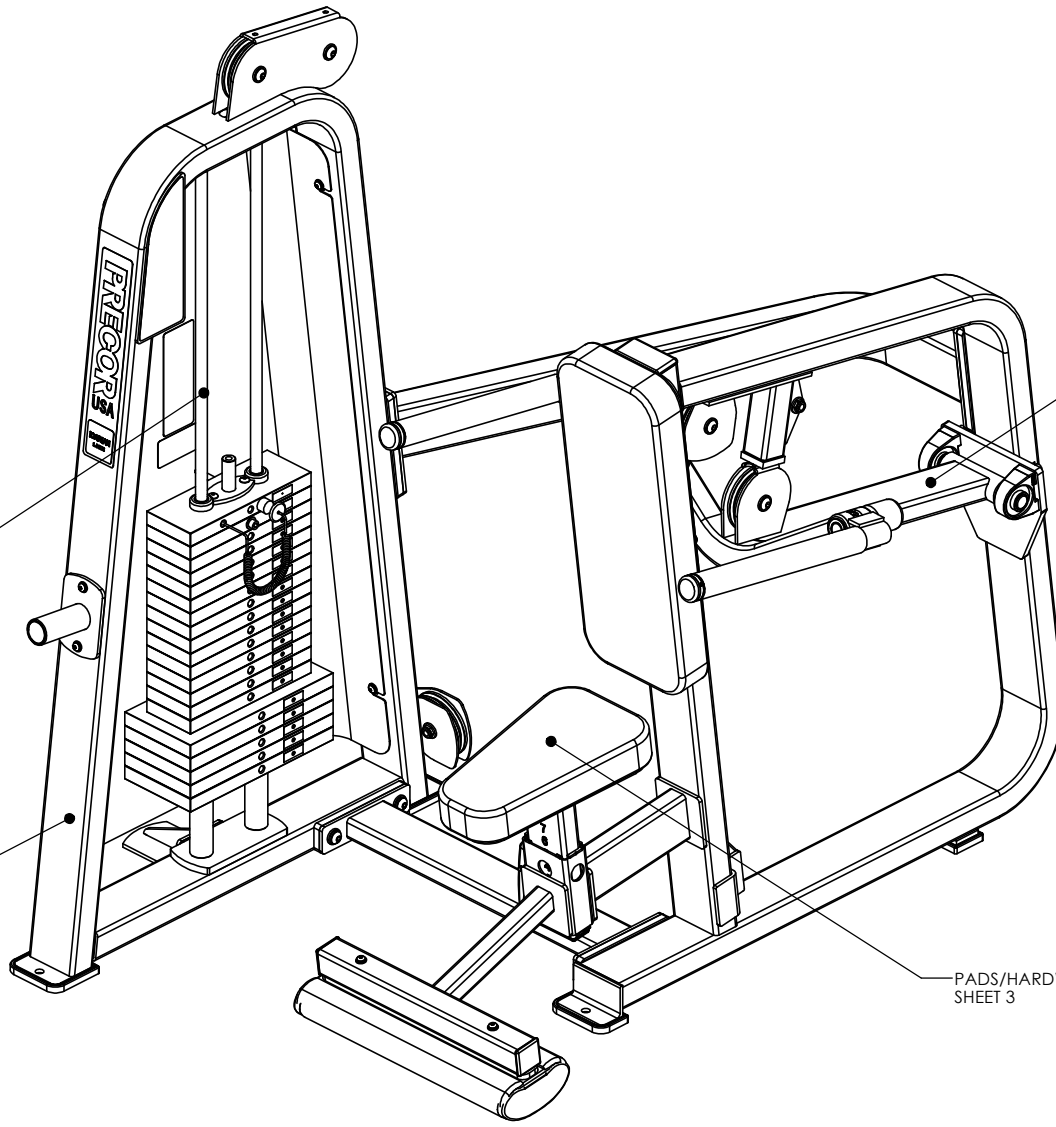


WEIGHTS/GUIDE RODS,
SHEET 4

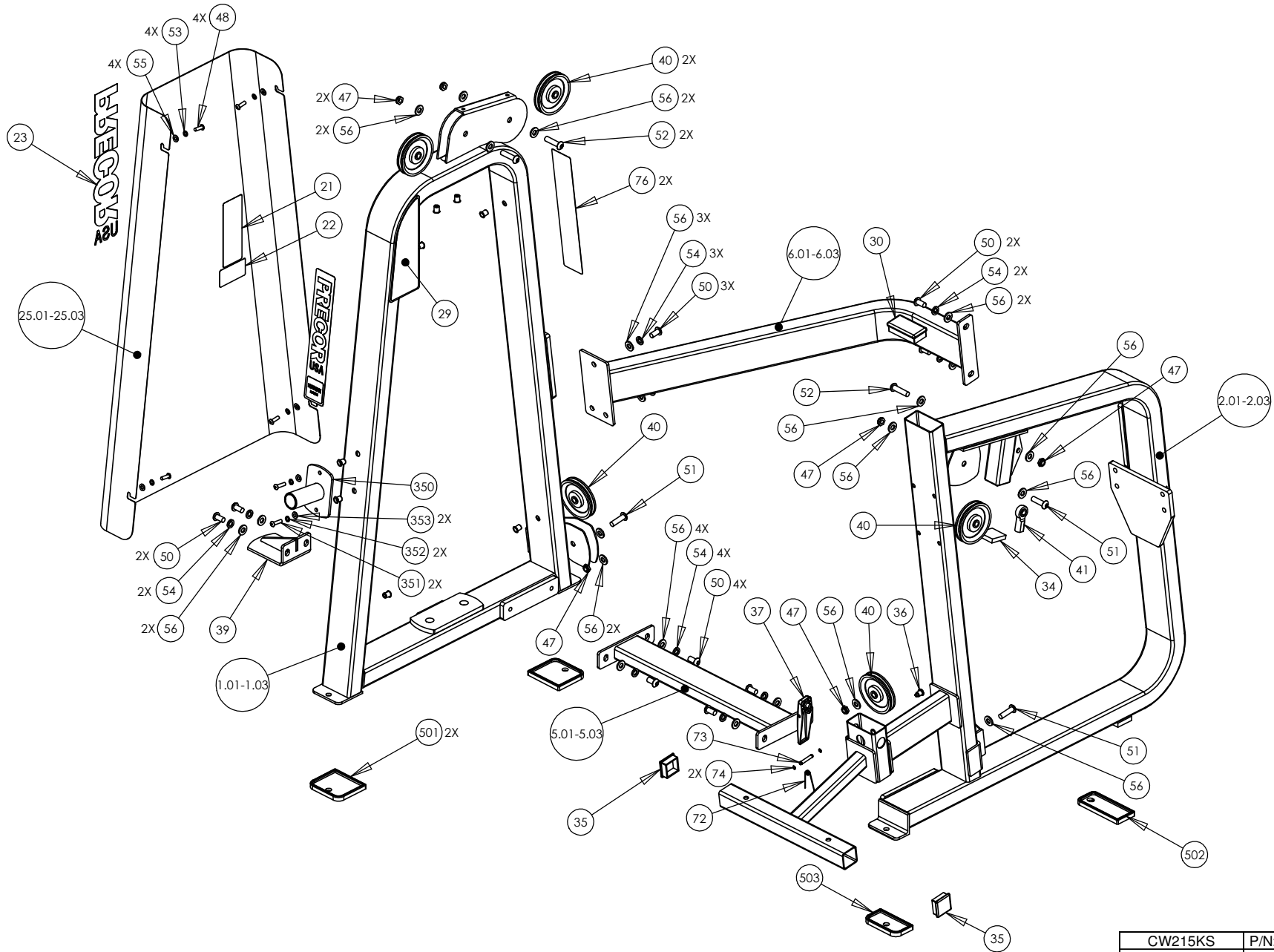
FRAME/COMPONENTS,
SHEET 2

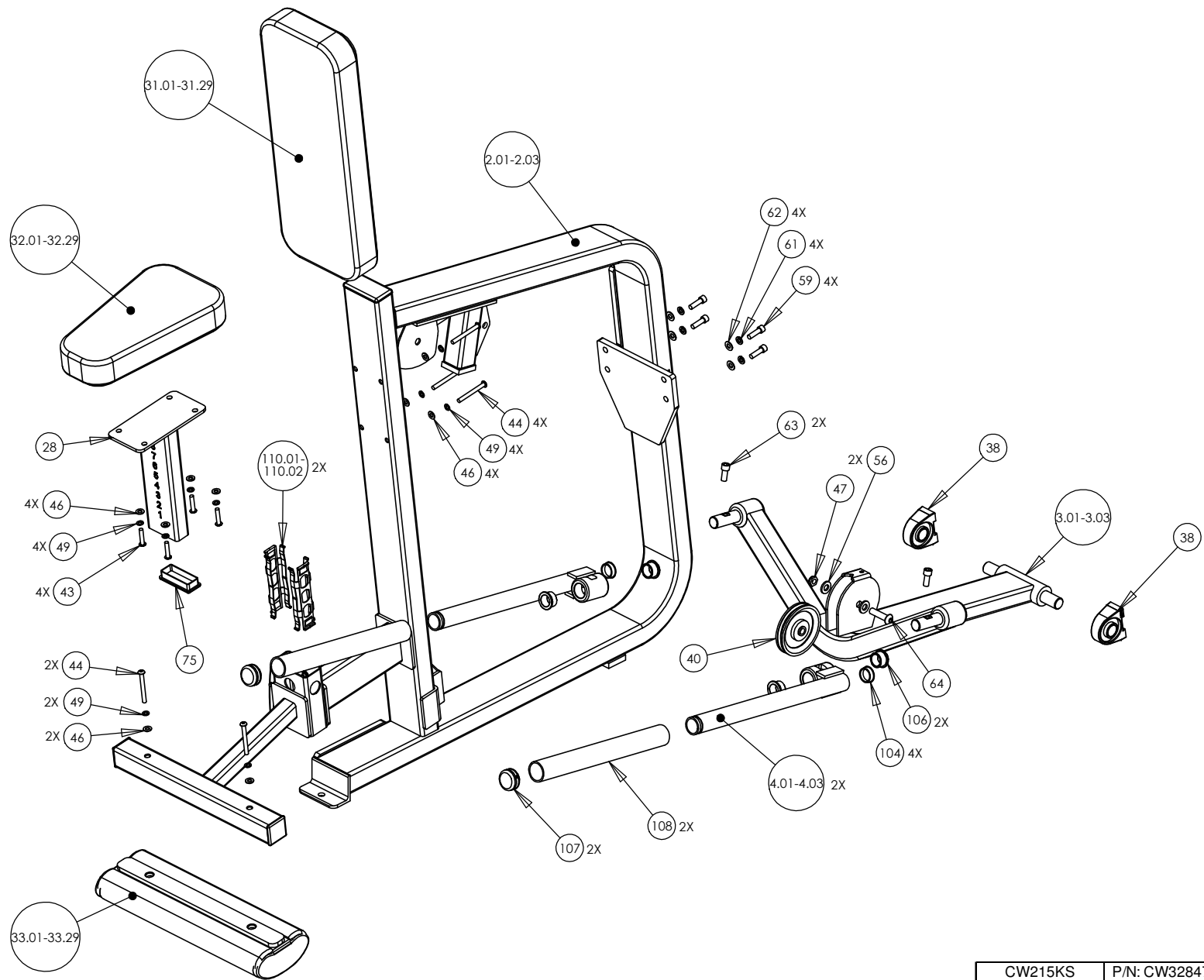
PIVOT ARM/HARDWARE,
SHEET 3

PADS/HARDWARE,
SHEET 3

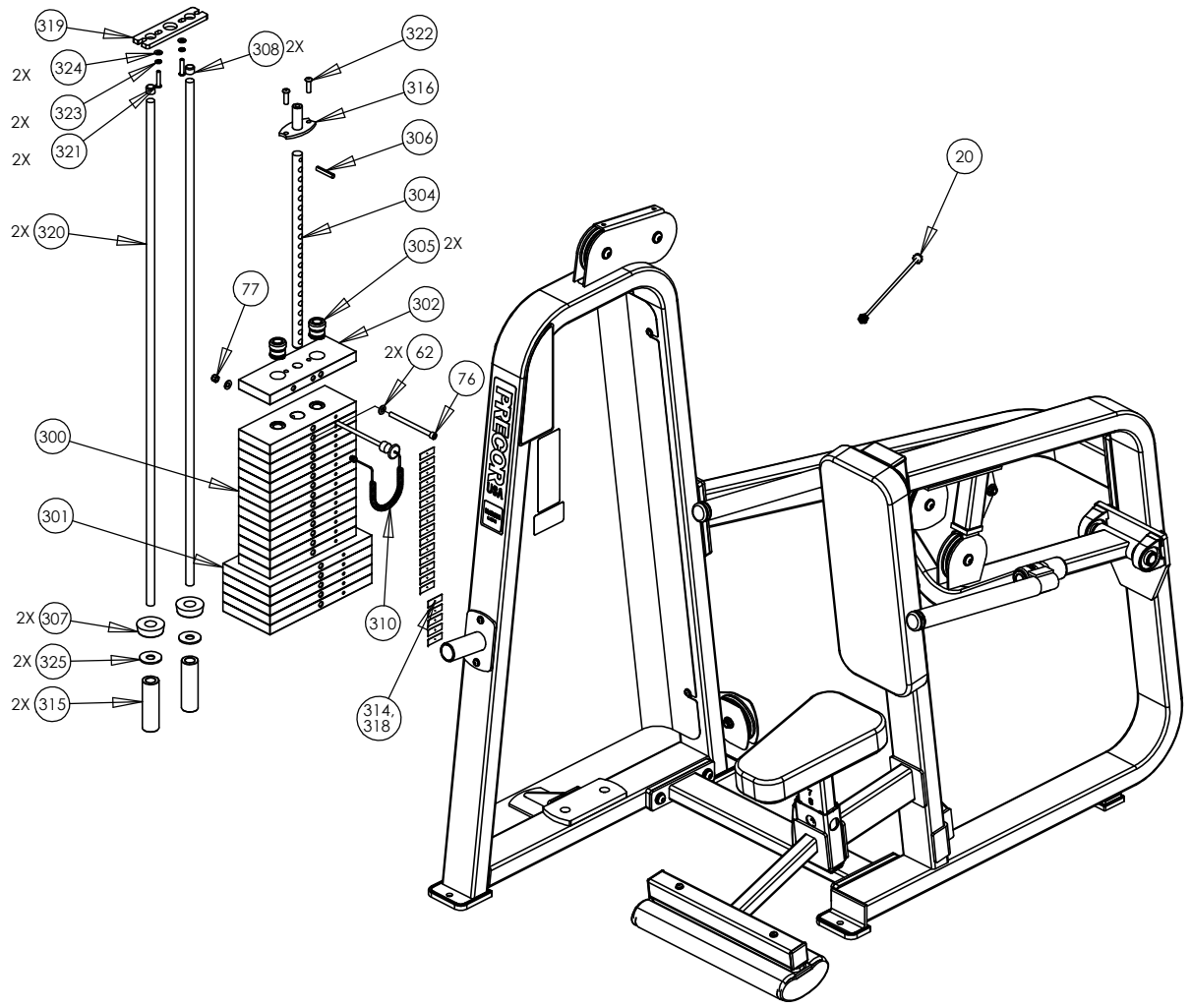


CW215KS	P/N: CW32847-101	SUBREV: C
DRAWN BY: VLE	DATE: 05.08.09	SHEET 1 OF 4





CW215KS	P/N: CW32847-101	SUBREV: C
DRAWN BY: VLE	DATE: 05.08.09	SHEET 3 OF 4



CW215KS	P/N: CW32847-101	SUBREV: C
DRAWN BY: VLE	DATE: 05.08.09	SHEET 4 OF 4

215KS Seated Dip

Part Number	Description	Bubble Number
CW32901-211	ASSY, FRAME, MAIN, CW215KS, SKY WHI	1.01
CW32901-321	ASSY, FRAME, MAIN, CW215KS, TITANIU	1.03
CW32806-321	WELDMENT, FRAME SEAT, CW215KS, TITA	2.03
CW215SA3-212	ASSY, ARM, 215,SKY WHITE	3.01
CW215SA3-322	ASSY, ARM, 215,TITANIUM HG	3.03
CW32924-211	ASSY, 23.38" LOWER FRAME LINK, SKY	5.01
CW32924-321	ASSY, 23.38" LOWER FRAME LINK, TITA	5.03
CW32923-211	ASSY, UPPER FRAME LINK, SKY WHITE	6.01
CW32923-321	ASSY, UPPER FRAME LINK, TITANIUM, H	6.03
CWCLGP184-750	ASSY, CABLE, CW215KS	20
CW30010-102	LABEL,WARNING STRENGTH	21
CW30011-102	LABEL,WARNING WEIGHT STACK	22
CW32091-211	ASSY, SHROUD, #5, SKY WHITE	25.01
CW32091-301	ASSY, SHROUD, #5, CUSTOM	25.02
CW32091-321	ASSY, SHROUD, #5, TITANIUM, HG	25.03
CW12537-109	NUT,INSERT,THIN-NUT,LARGE FLANGE	27
CW32535-711	ASSEMBLY, SEAT ADJUSTMENT, 8 HOLE,	28
CW33346-101	ASSY, PLACARD, 215KS	29
CW11311-102	ENDCAP, REC TUBE, 2X4, BLK PLASTIC	30
CWPD1104B-101	PAD,9X24,4HOLES,W/BP,BLACK	31.01
CWPD1141J-101	PAD,4X19,2HOLES,W/BP,BLACK, W/SLIP	33.01
CW30014-203	CUT PIECE, CREPE, 3/8 THICK, 2.00 X	34
CW11311-103	ENDCAP, REC TUBE, 2X2, BLK PLASTIC	35
CW31784-731	STOP PLUG, BLK ZN	36
CW32460-221	ASSY, RATCHETING LEVER, BLACK	37
CW12406-101	PILLOW BLOCK, BEARING, 2 BOLT	38
CW33286-731	WELDMENT, STABILITY FOOT,BLACK ZINC	39
CWAC1009-101	PULLEY, 4 1/2 DIA X 1/2 ID	40
CWCLFA1064-741	ROD END, FEMALE, STEEL, ZINC, CAD,	41
CWTAYN031-150	SCREW, BUTTON HEAD, BLK XYLAN, 5/16	43
CWTAYN031-300	SCREW, BUTTON HEAD, BLK XYLAN, 5/16	44
CWWBKN031-007	WASHER, FLAT, TYPE A, SAE, 5/16 ID	46
CWKAYN050-031	LOCKNUT, NYLON INSERT, HALF, UNC, 1	47
CWTAYN031-100	SCREW, BUTTON HEAD, BLK XYLAN, 5/16	48
CWWALYN031-008	WASHER, SPLIT, 5/16 ID, BL	49
CWTAYN050-100	SCREW, BUTTON HEAD, BLK XYLAN, 1/2	50
CWTAYN050-175	SCREW, BUTTON HEAD, BLK XYLAN, 1/2	51
CWTAYN050-200	SCREW, BUTTON HEAD, BLK XYLAN, 1/2	52
CWWALYN031-008	WASHER, SPLIT, 5/16 ID, BL	53
CWWALYN050-013	WASHER, SPLIT, 1/2 ID, BLK XYLAN	54
CWWBKN031-007	WASHER, FLAT, TYPE A, SAE, 5/16 ID	55
CWWBKN050-010	WASHER, FLAT, TYPE A, SAE, 1/2 ID X	56
CWCAYN038-125	SCREW, SOCKET HEAD, BLK XYLAN, 3/8	59
CWWALYN038-009	WASHER, SPLIT, 3/8 ID, BLK XYLAN	61
CWWBKN038-007	WASHER, FLAT, TYPE A, SAE, 3/8 ID	62
CW12634-101	SPRING, TORSION 90 DEG X 0.484 X 0.	72
CW31770-742	LATCH PIVOTING PIN, CLR ZN	73
CWAMNN028-003	RING, RETAINING, 2-TURN, SPIRAL, SS	74

CW31756-101	LABEL, PRECOR USA ICARIAN LINE	76
CWKDYN038-045	LOCKNUT, NYLON INSERT, FULL, UNC, 3	77
CW10043-134	BUSHING, BRONZE, 1" ID X 1 1/4" OD	104
CW11095-105	CAP, PLASTIC, HEYCO, DOME PLUG, 1.2	106
CWAC242-901	HANDLE END CAP W/SET SCREWS, DIA 1	107
CWGR4915-000	GRIP, RUBBER, 1.50" OD HANDLE, 15.0	108
CW33626-901	GUIDE, THIN, TELESCOPING TUBE	110.01
CW33626-902	GUIDE, THCK, TELESCOPING TUBE	110.02
CW30491-301	WELDMENT, PIVOTING, HANDLE, PT, CUS	178.02
CWAC1133-101	BUSHING, WEIGHT PLATE, LDPE PLASTIC	203
CW30171-742	PIN, WEIGHT STACK, 6.00 INCHES, ZN	226
CW10519-721	PLATE, WEIGHT, 20 LBS, WRKL BLK	279
CW10510-721	ASSY, PLATE, WEIGHT, 10 LBS, WRKL B	300
CW10520-721	ASSY, PLATE, WEIGHT, 20 LBS, WRKL B	301
CW10550-723	PLATE, WEIGHT, MED TOP (MTP-S), 10	302
CW30132-712	SELECTOR STEM, 20 PLATE,0.875 DIA,	304
CW30184-902	ASSY,BARREL, TOP PLATE,ALUMINUM,TALL	305
CW58004-101	WEIGHT STACK BUSHING KIT, KS SERIES	305
CWLDNN038-200	SLOTTED PIN SPRING, DIA 3/8 X 2	306
CW12402-101	BUMPER, ID 1.050, BLK RUBBER	307
CW12404-101	CAP, GUIDE ROD, DIA 3/4, BLK	308
CW33870-102	ASSEMBLY, 5" WEIGHT STACK PIN & LEA	310
CW32937-101	WEIGHT STACK LABELS, 10-250, STAGGE	314
CW33323-721	STACK RISER, 5 INCH, WRINKLE BLACK	315
CW32663-741	WELDMENT, BOLT ON TOP PLATE MINI ST	316
CW32938-101	WEIGHT STACK LABELS, 10-300, STAGGE	318
CWPF1016-732	BAR,,FLAT CR/HR, 3/8 X 2 X 8 1/4, 3	319
CWPF1214-711	GUIDE ROD,STEEL,OD 3/4 X 52 5/8, CH	320
CWTAYN031-150	SCREW, BUTTON HEAD, BLK XYLAN, 5/16	321
CWTAYN038-125	SCREW, BUTTON HEAD, BLK XYLAN, 3/8	322
CWWALYN031-008	WASHER, SPLIT, 5/16 ID, BL	323
CWWBKN031-007	WASHER, FLAT, TYPE A, SAE, 5/16 ID	324
CWWCKN075-015	WASHER, FLAT, TYPE A, WIDE, 3/4 ID	325
CW32938-101	WEIGHT STACK LABELS, 10-300, STAGGE	333
CW31772-741	ASSY, ADD-ON WEIGHT HORN, CLEAR ZIN	350
CWTAYN031-150	SCREW, BUTTON HEAD, BLK XYLAN, 5/16	351
CWWALYN031-008	WASHER, SPLIT, 5/16 ID, BL	352
CWWBKN031-007	WASHER, FLAT, TYPE A, SAE, 5/16 ID	353
CWAC1177-101	FLOOR PROTECTOR, RUBBER, 4.563 X 4.	501
CWAC1178-101	FLOOR PROTECTOR, RUBBER, 2.563 X 6.	502
CWAC1179-101	FLOOR PROTECTOR, RUBBER, 4.813 X 2.	503
CW58004-101	WEIGHT STACK BUSHING KIT, KS SERIES	600